



# 15" THREE-WAY FULL RANGE **LA63V3** BASS-REFLEX LOUDSPEAKER SYSTEM

## UNIT SELL POINT (USP):

- 100% Factory Quality Control
- 100% Factory Speaker Construction
- 100% Factory Tested
- Manufactured with Pride in the United States

## APPLICATIONS:

- Concerts
- Clubs
- Mobile DJ
- Houses of Worship
- Entertainment

## FEATURES:

- LV3 Technology
- Trapezoid Design
- Die-cast aluminum basket
- High sensitivity, low distortion
- SP DDPJ (Speaker Distortion Dynamic Protection)
- UPWEJ (Ultrachrome Protecting wood enclosures) black polyurea finish
- Compression driver with titanium diaphragm
- Manufactured with Pride in the United States
- Neutrik Speakon & Dual 1/4 Phone Jacks in Parallel



LA63V3

## SPECIFICATIONS:

**System Type:** 3-way, Full range, bass ported

**Frequency Range:**  
50 Hz - 18 kHz (-10 dB)  
65 Hz - 16 kHz (+/-3 dB)

**Power Capacity:**  
600 W (Continuous)  
2400 W (Peak)

**Recommended Power Amplifier:**  
P.PA2

**Sensitivity (1w/1m):**  
98.5 dB

**Maximum Output:**  
132 dB

**Nominal Impedance:**  
8 Ohms

**Nominal Dispersion:**  
90° x 40°

**Crossover Frequency:**  
800Hz; 2.0 kHz

**Drivers:**  
LF (1 x Csp 15LV3)  
MF (1 x Csp 6EV)

HF (1 x Csp H450)  
**High Frequency Driver**

**Protection:**  
SP DDPJ

**Input Connection:**  
One Neutrik Speakon Dual 1/4" phone jacks in parallel

**Enclosure Hardware:**  
3/4" MDF wood, UPWEJ black polyurea finish

**Grille:**  
18 gauge perforated steel, additional powder coated

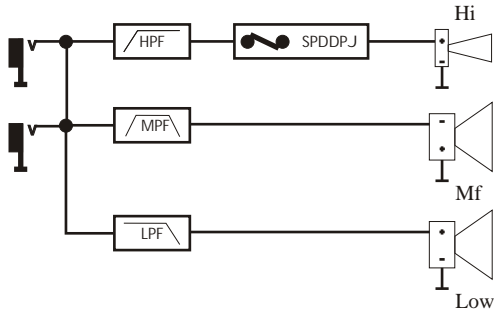
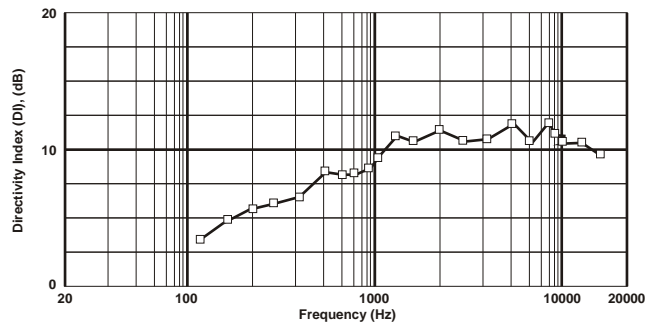
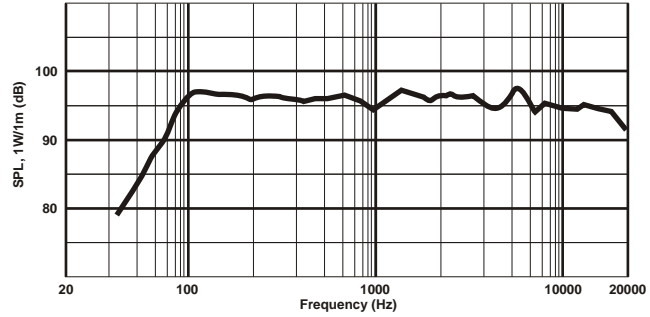
**Dimensions (H x W x D):**  
26.375" x 26.375" x 18"  
670 mm x 670 mm x 475 mm

**Weight:**  
92 lbs (41 kg)

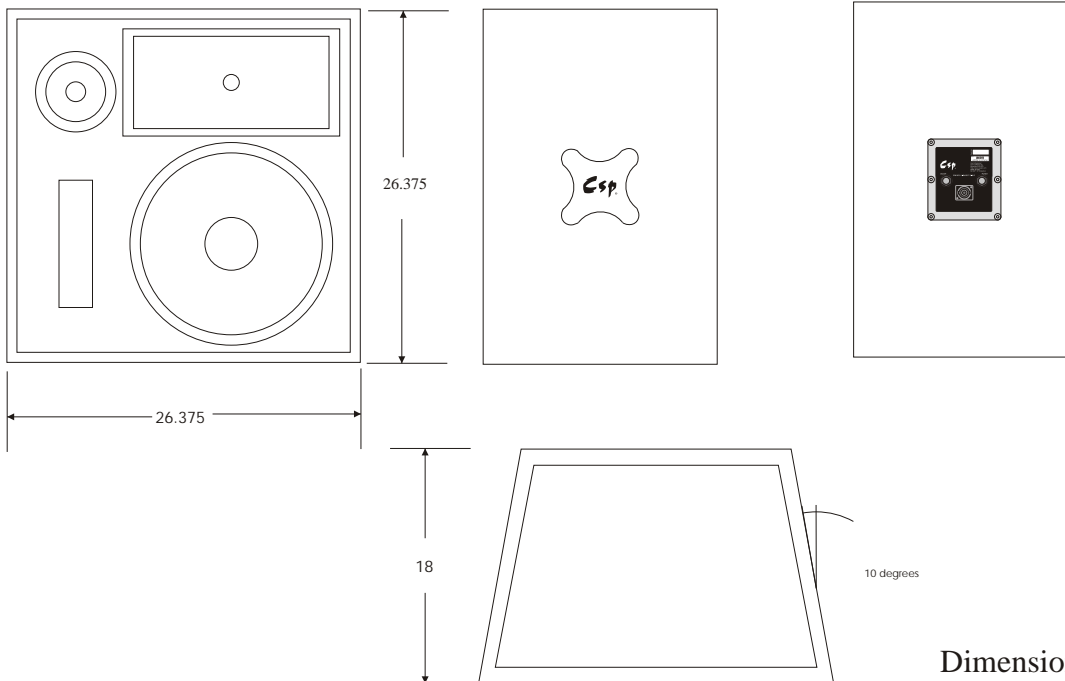
**Shipping weight:**  
97.5 lbs (43 kg)



# 15" THREE-WAY FULL RANGE LA63V3 BASS-REFLEX LOUDSPEAKER SYSTEM



## DIMENSIONS



Dimensions in inch

**Csp Professional**

5157 Cliffwood Dr., Montclair, CA 91763 Tel: 909 590-5258 Fax: 909 590-1658 <http://www.csppro.com> [info@csppro.com](mailto:info@csppro.com)

© 2004, Csp Professional ★ Part # la63v3 ★ Csp professional member of Paul Audio Inc.