



8"x2 TWO-WAY FULL RANGE **K9** BASS-REFLEX LOUDSPEAKER SYSTEM

UNIT SELL POINT (USP):

- 100% Factory Quality Control
- 100% Factory Speaker Construction
- 100% Factory Tested
- Manufactured with Pride in the United States

APPLICATIONS:

- Karaoke Clubs,
- Sound Reinforcement Clubs,
- Health Clubs Offices, Classrooms, Meeting Rooms
- A/V Systems
- Houses of Worship
- Distributed Systems



K9

FEATURES:

- High power handling - 450 watts (average) and 1800 watts (peak) power capacity
- 90° x 90° horn designed for even coverage and smooth response on and off axis
- 1" Titanium HF Driver with ferro-fluid cooled
- SP DDPJ Distortion Dynamic Protection
- The advanced network topology crossover design shapes the frequency response to deliver coherent summation in the crossover region
- 3/4" MDF wood, UPWEJ (Ultrachrome Protecting wood enclosures) black polyurea finish
- 18 gauge perforated steel, additional powder coated

SPECIFICATIONS:

System Type:

2-way, Full range, bass ported

Frequency Range:

30 Hz - 20 kHz (-10 dB)

50 Hz - 20 kHz (+/-3 dB)

Power Capacity:

450 W (average)

1800 W (Peak)

Recommended Power Amplifier:

P.PA1

Sensitivity (1w/1m):

98 dB

Maximum Output:

130.6 dB

Nominal Impedance:

4 Ohms

Nominal Dispersion:

90° x 90°

Crossover Frequency:

2.25 kHz

Drivers:

LF (2 x Csp 8LV2X)

HF (1 x Csp H452)

High Frequency Driver

Protection:

SP DDPJ

Input Connection:

2 x 1/4" phone jacks in parallel

Enclosure Hardware:

3/4" MDF wood, UPWEJ black

polyurea finish

Grille:

18 gauge perforated steel,

additional powder coated

Dimensions (H x W x D):

11.375" x 22.375" x 15.875"

289 mm x 568 mm x 403 mm

Weight:

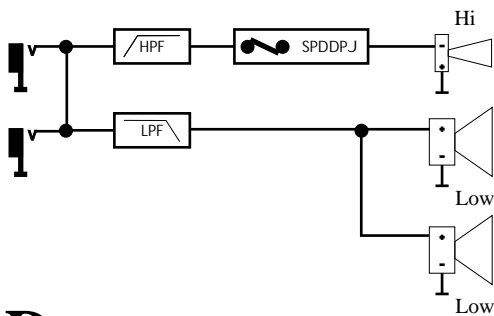
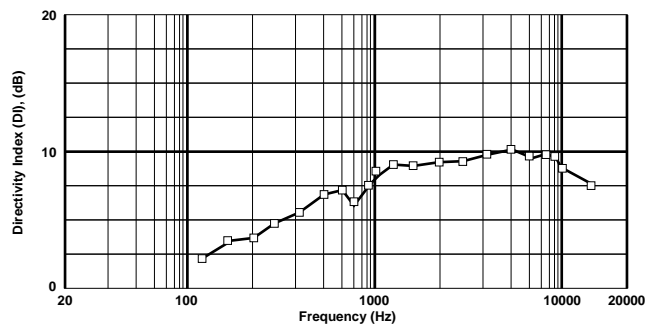
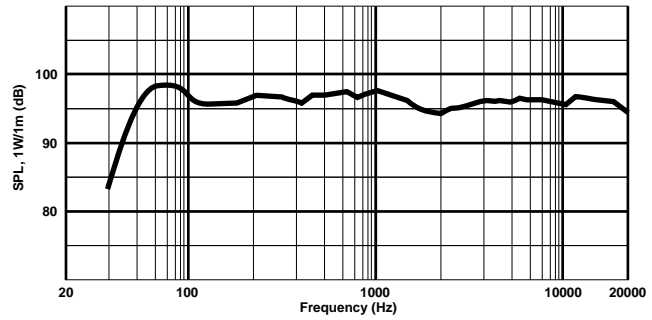
51 lbs (23 kg)

Shipping weight:

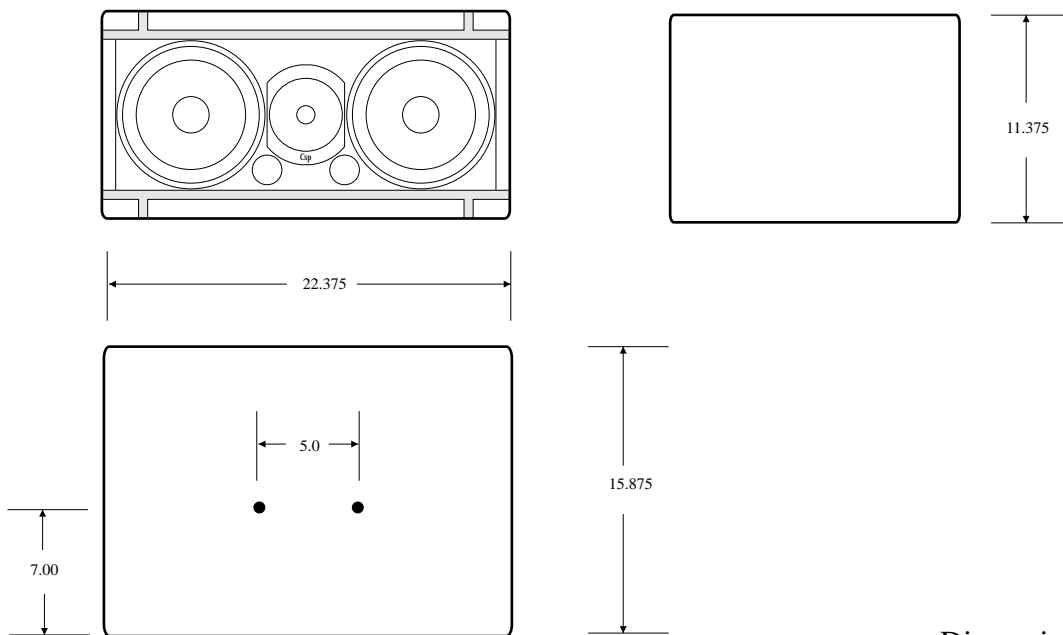
54 lbs (24kg)



8"x2 TWO-WAY FULL RANGE BASS-REFLEX LOUDSPEAKER SYSTEM **K9**



DIMENSIONS



Dimensions in inch

Csp Professional

5157 Cliffwood Dr., Montclair, CA 91763 Tel: 909 590-5258 Fax: 909 590-1658 <http://www.csppro.com> info@csppro.com

© 2004, Csp Professional ★ Part # cspk9 ★ Csp professional member of Paul Audio Inc.